

**DESCRIPTION:**

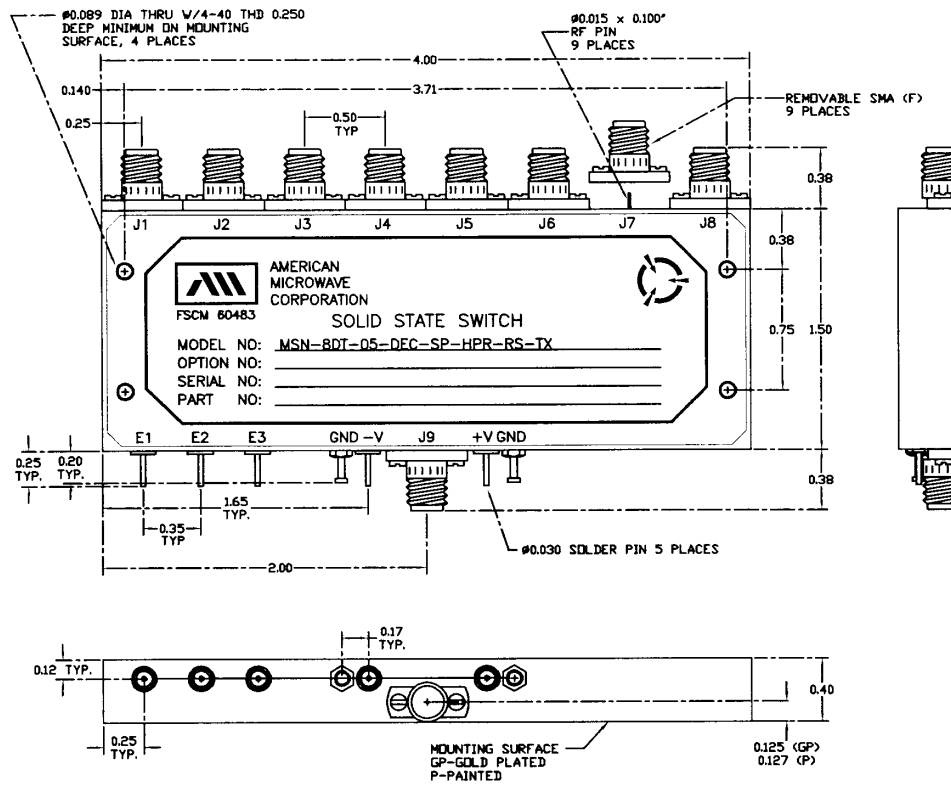
AMC MODEL NUMBER MSN-8DT-05-DEC-SP-HPR-RS-TX IS A ABSORPTIVE/NON-REFLECTIVE SINGLE POLE EIGHT THROW SWITCH MODULE WITH LOW INSERTION LOSS AND WITH A RF POWER HANDLING OF 1 WATT. DESIGNED FOR THE 200 MHZ TO 2 GHz FREQUENCY RANGE.

REVISIONS				
ZONE	REV.	DESCRIPTION	DATE	APPROVED
-	-	ORIGINAL RELEASE, JOB# 80242-1E	10/28/09	

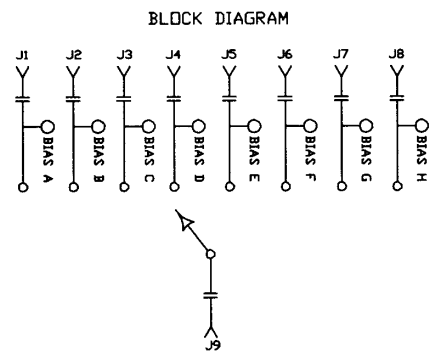
**SPECIFICATIONS:**

- FREQUENCY: ..... 200 MHz TO 2 GHz
- INSERTION LOSS: ..... 1.5 dB MAXIMUM
- ISOLATION: ..... 60 dB MINIMUM
- VSWR: ..... ABSORPTIVE IN/OUT: 2.0:1  
 ABSORPTIVE OUT/OFF: 2.0:1
- SPEED: ..... RISE: 15ns MAXIMUM  
 FALL: 15ns MAXIMUM  
 DELAY ON: 100ns MAXIMUM  
 DELAY OFF: 100ns MAXIMUM
- POWER INPUT: ..... 30 dBm MINIMUM
- RF POWER HANDLING: ..... 1 WATT
- CONTROL: ..... TTL LOGIC "0"=ON "1"=OFF
- POWER SUPPLY: ..... +5V @ 400 mA MAXIMUM  
 -12V @ 100 mA MAXIMUM

**MECHANICAL OUTLINE**



LOGIC TABLE			
INPUTS			PORT ON
E1	E2	E3	
L	L	L	J1
H	L	L	J2
L	H	L	J3
H	H	L	J4
L	L	H	J5
H	L	H	J6
L	H	H	J7
H	H	H	J8



**CONFIDENTIAL AND PROPRIETARY**

**ENVIRONMENTAL RATINGS:**

- TEMPERATURE: ..... -55°C TO +85°C (OPERATING)  
 -65°C TO +125°C (STORAGE)
- HUMIDITY: ..... MIL-STD-202F, METHOD 103B COND. B
- SHOCK: ..... MIL-STD-202F, METHOD 213B COND. B
- VIBRATION: ..... MIL-STD-202F, METHOD 204D COND. B
- ALTITUDE: ..... MIL-STD-202F, METHOD 105C COND. B
- TEMPERATURE CYCLE: ..... MIL-STD-202F, METHOD 107D COND. A

ALL DIMENSIONS ARE IN INCHES  
 TOLERANCES:  
 X.XX ±0.020  
 X.XXX ±0.010

NOTE: THE ABOVE SPECIFICATIONS ARE SUBJECT TO CHANGE OR REVISION

PART NO.		AMERICAN MICROWAVE CORPORATION FREDERICK, MARYLAND		
APPROVALS	DATE	TITLE		
DRAWN <i>WJS</i>	10/28/09	PRODUCT FEATURE MSN-8DT-05-DEC-SP-HPR-RS-TX NON-REFLECTIVE/ABSORPTIVE SOLID STATE SWITCH		
CHECKED		SIZE	FSCM NO.	DWG NO.
ISSUED		A	60483	100-6808
		SCALE 1:1	SHEET 1 of 3	